

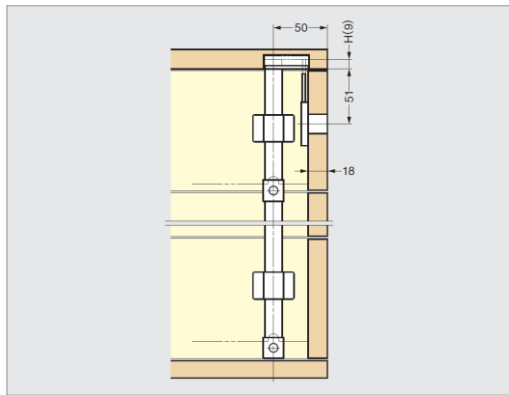
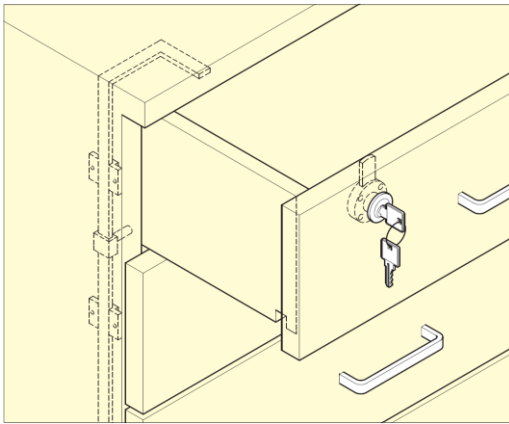
GALF1600 Central Locking System

Features

- Locks all drawers on one side simultaneously
- 100 key changes available
- Cylinder lock needs to be installed on the front panel of the top drawer
- 4 or more lock parts are sold separately
- Depth of the shelf can be adjusted according to the position of the lock pin
- Right-handed / left-handed bar is available
- Body can be made black chromate finish on request
- Cylinder of **GALF1800** can be applied to this system for 1 million key changes at maximum

Parts Included

- Countersunk head wood screw 2.7×16
- Pan head wood screw 2.7×13

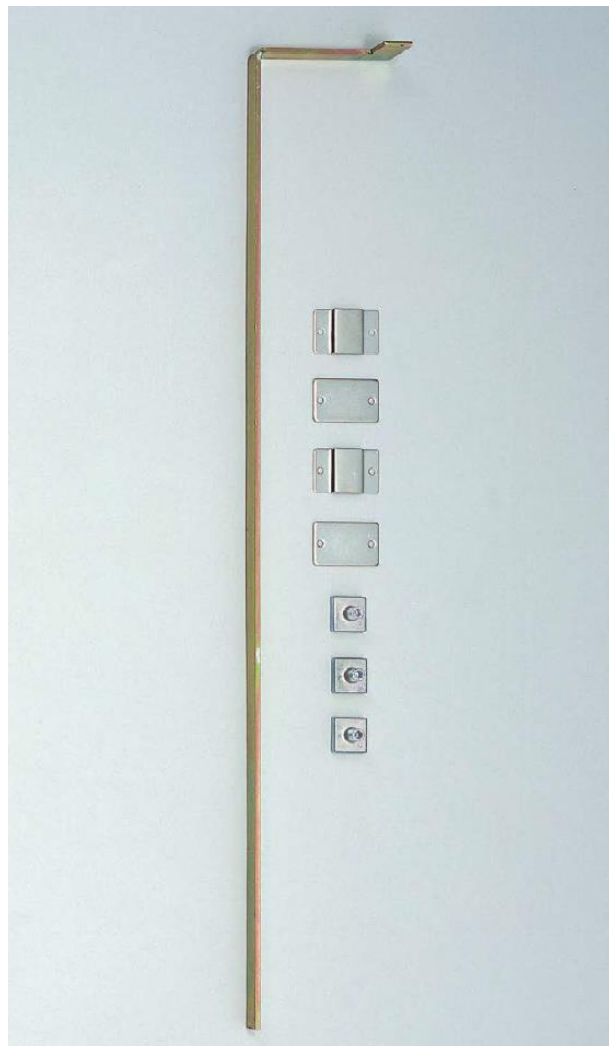


Sold Separately

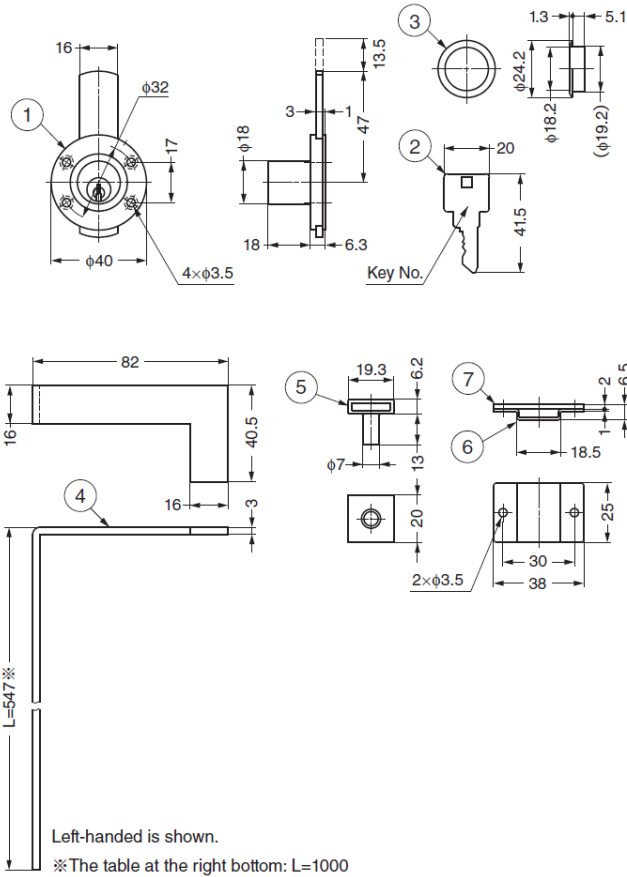
- Parts set **GALFR, GALFL**
- Separate parts **GALS-LP, GALS-G, GALS-GP**

Optional Parts

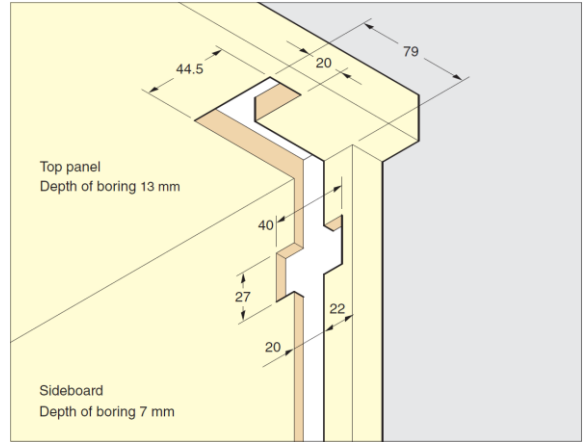
- Locking peg **GALS-KP**
- Bar **GALFBAR1000**



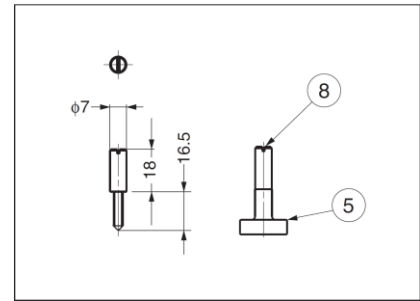
Parts set GALS-LP, GALS-G, GALS-GP (sold separately)



Cut Out Dimensions



Use Locking Peg inserted into ⑤ for the application with drawer slides



No.	Part Name	Material	Finish
①	Body	Zinc Alloy (ZDC)	Satin Nickel
②	Key	Brass	Nickel
③	Ring	Brass	Satin Nickel
④	Guide Bar (Sold Separately)	Steel	Yellow Zinc Chromate
⑤	Lock Pin (Sold Separately)	Zinc Alloy (ZDC)	Yellow Zinc Chromate
⑥	Guide (Sold Separately)	Steel	Nickel
⑦	Guide Plate (Sold Separately)	Steel	Nickel
⑧	Locking Peg (Option)	Steel	Nickel

Cylinder Lock (① ~ ③)

Part No.	Finish	Cylinder Diameter	Stroke of Bar	Door Thickness
GALF1600-B	Keyed Differently	Ø 18	13.5	18
GALF1600-D	Keyed Alike			

Parts Set (④ ~ ⑦) (Sold Separately)

Part No.	Left/Right
GALFR	Right
GALFL	Left

Parts Set (⑤ ~ ⑦) (Optional Parts) For drawers over 4

Part No.	Description	No.
GALS-LP	Lock Pin for Auto-Lock	⑤
GALS-G	Guide for Auto-Lock	⑥
GALS-GP	Guide Plate for Auto-Lock	⑦

Guide Bar (④ L=1000) (Optional Parts)

Part No.	Left/Right
GALFBAR1000R	Right
GALFBAR1000L	Left

Locking Peg for All Lock (⑧) (Optional Parts)

Part No.
GALS-KP